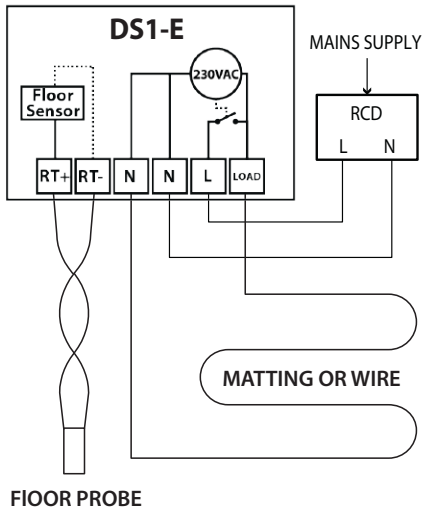




Wiring Diagram



Want More Information?

Call our support team on:
+44 (0)1254 669090

Or view video specifications
directly on our website:
www.heatmiser.com



PDF



FAQ

heatmiser®



Model: DS1-E



Introduction

The Heatmiser DS1-E dial type thermostat is designed specifically for electric underfloor heating.

This thermostat incorporates the following functions;

- Adjustable Switching Differential
- LED Heat and Power Indication
- 230v AC, 13A Switching

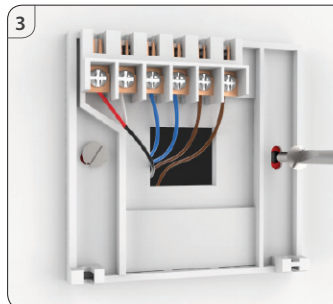
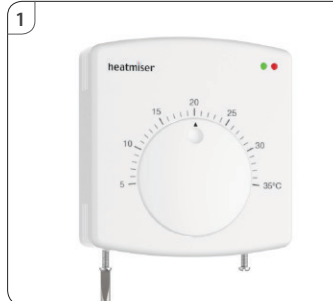


Installation

IN ORDER TO AVOID ANY RISK OF ELECTRIC SHOCK, TURN OFF THE POWER TO THE HEATING SYSTEM.

This dial thermostat is designed to be surface mounted.

1. Separate the front part of the thermostat by unscrewing securing screws on the bottom face of the thermostat.
2. Mark 2 hole positions on the wall using the backplate as a positioning template. Drill at the marked positions and insert a wall plug in to each hole.
3. Terminate the thermostat as per wiring diagram and screw the DS1-E back plate to the back box.
4. Reconnect the thermostat front plate and insert the securing screws.





Setting The Temperature

To change the set point, rotate the dial until it points at the desired temperature.



Floor Temperature Limit

This setting is only required when the sensor option is set to Air and Floor mode.

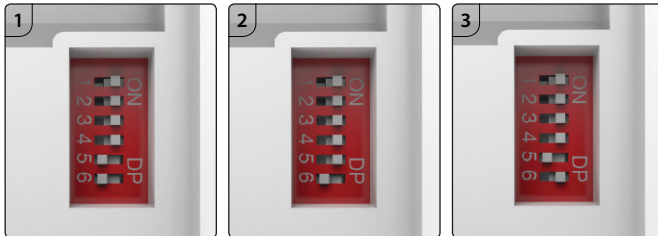
The setting is used to protect the floor surface from overheating.

The floor temperature limit can be set to 20, 28 or 40°C.

To set the required floor limit temperature, set the DIP switches according to the table.

1	20°C	Switch 5 & 6 OFF
2	28°C	Switch 5 ON and Switch 6 OFF
3	40°C	Switch 5 OFF and Switch 6 ON

Should the floor temperature be achieved (even if the desired room temperature has not) the heating will turn off. The Heat Active LED will flash in this case.



Sensor Option

The thermostat has three modes of operation. Select the desired mode, and set the DIP switches according to the table.

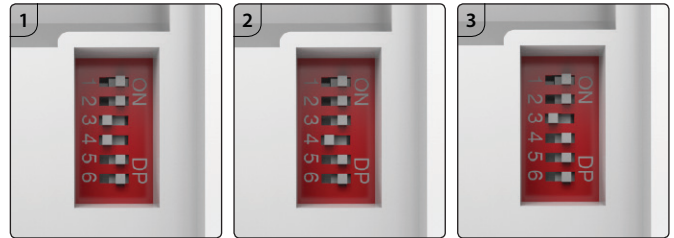
The DIP switches can be accessed from the back of thermostat.

Air Sensor: Uses the built in air sensor only.

Air Sensor & Floor Limiting Sensor: Uses the built in air sensor but also uses the remote floor sensor to ensure the floor temperature doesn't overheat.

Floor Sensor: Uses the remote floor sensor only.

1	Air Sensor	Switch 3 & 4 OFF
2	Air & Floor	Switch 3 ON and Switch 4 OFF
3	Floor Sensor	Switch 3 OFF and Switch 4 ON



Switching Differential

The Heatmiser DS1-E offers 1, 2 and 3°C switching differential.

With a 1°C switching differential the heating will switch on 1°C below the set temperature and will turn off when the set temperature is reached.

A 2°C will turn the heating on 2°C below the set temperature.

3°C will switch the heating on 3°C below the set temperature.

To set the differential, set the DIP switches according to the table below.

1	1°C Switching	Switch 1 & 2 OFF
2	2°C Switching	Switch 1 ON and Switch 2 OFF
3	3°C Switching	Switch 1 OFF and Switch 2 ON

