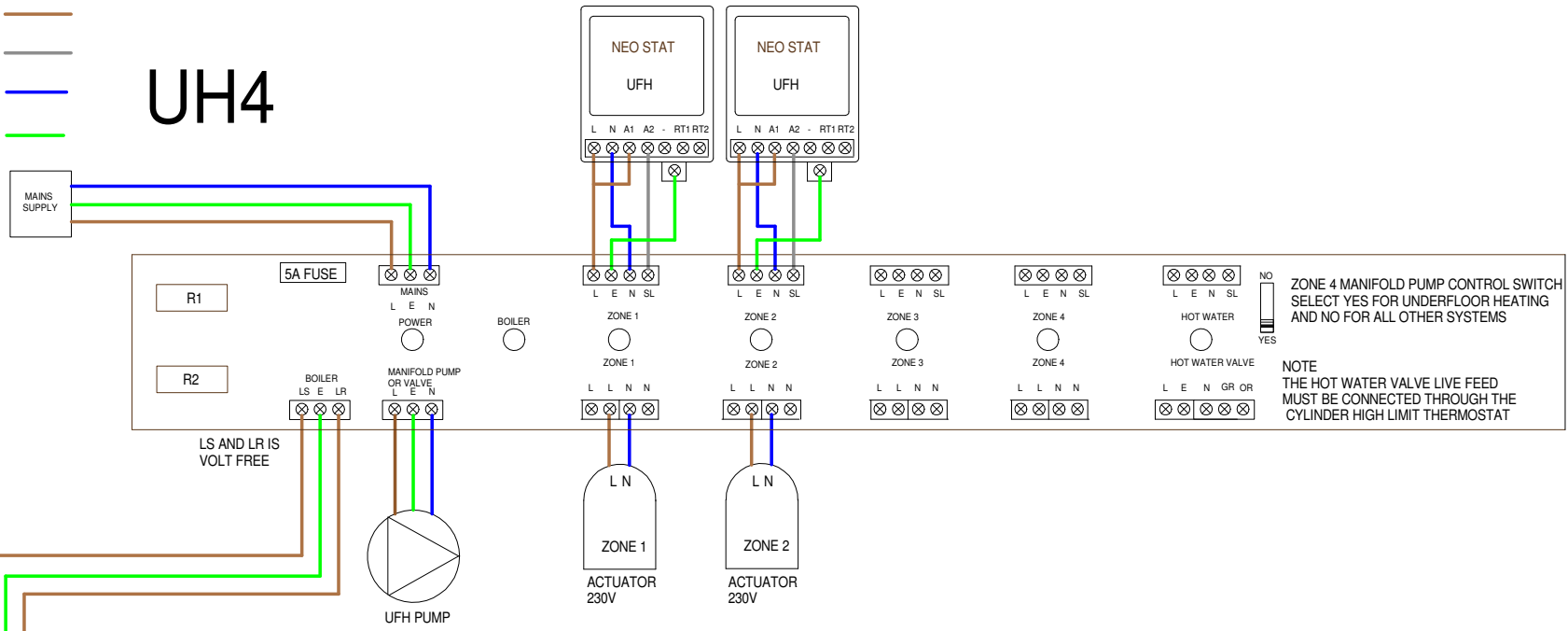


UFM UNDER FLOOR MANIFOLD

LIVE
switch LIVE
NEUTRAL
EARTH

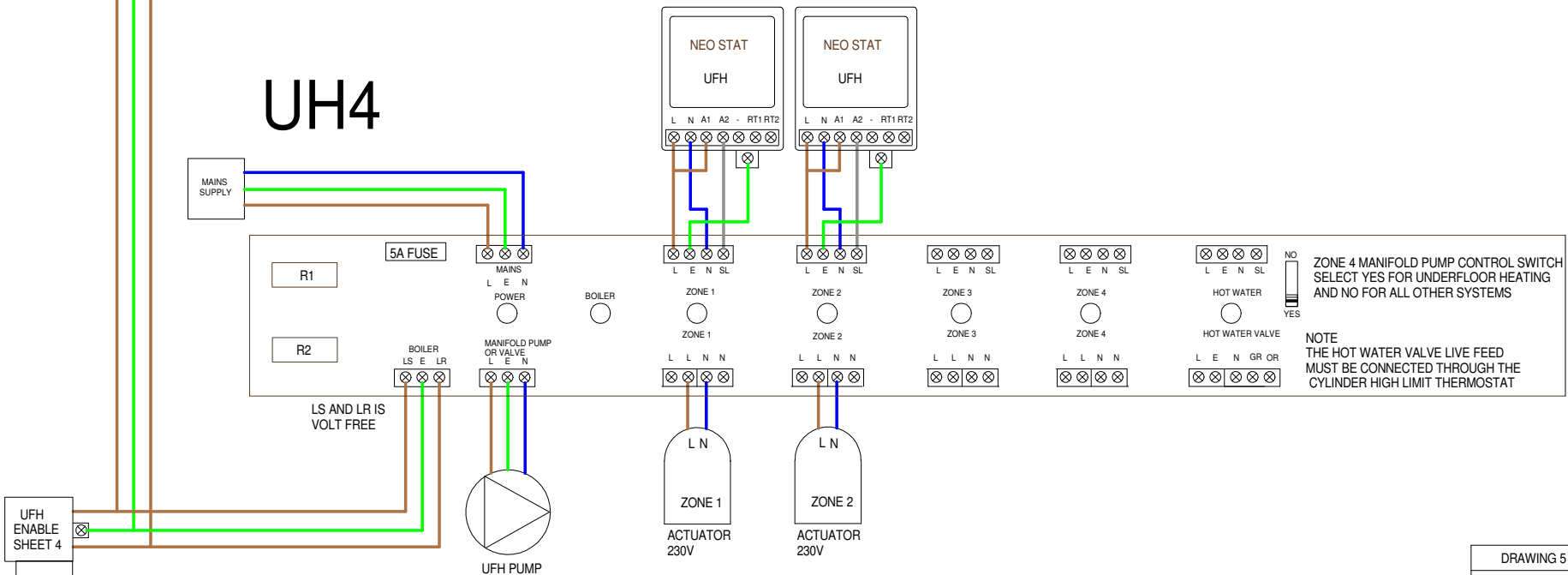
UH4



ZONE 4 MANIFOLD PUMP CONTROL SWITCH
SELECT YES FOR UNDERFLOOR HEATING
AND NO FOR ALL OTHER SYSTEMS

NOTE
THE HOT WATER VALVE LIVE FEED
MUST BE CONNECTED THROUGH THE
CYLINDER HIGH LIMIT THERMOSTAT

UH4



ZONE 4 MANIFOLD PUMP CONTROL SWITCH
SELECT YES FOR UNDERFLOOR HEATING
AND NO FOR ALL OTHER SYSTEMS

NOTE
THE HOT WATER VALVE LIVE FEED
MUST BE CONNECTED THROUGH THE
CYLINDER HIGH LIMIT THERMOSTAT

This equipment should be installed by an appropriately qualified/ registered electrician.
Fully read the instructions for proper wiring before applying power.
The warranty does not cover damage from improper wiring or installation.

DRAWING 5 OF 7
SHEET 5
GUY NIELD
13/05/2015