

Accessories

Model: Thimble Sensor



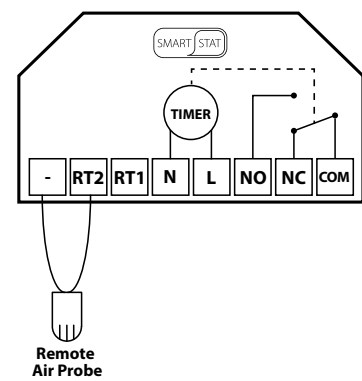
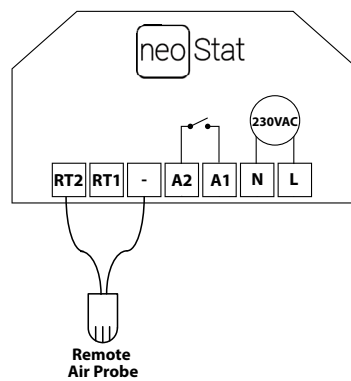
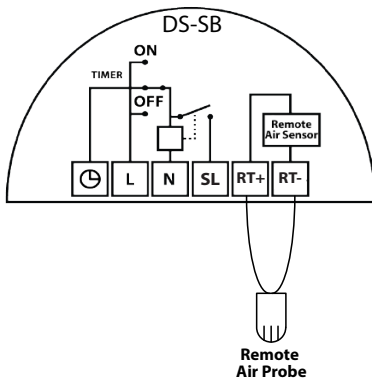
Cable Length*	1.95M
IP Protection	IP20
Weight	43g

*Can be extended up to 20 metres using twin shielded cable

Compatibility List

DS-SB	Y	SmartStat	Y
DS-SB Public	Y	Slimline	Y
DS1-E	N	Slimline-E	Y
DS1-EL	N	Slimline-N	Y
DS1-L	N	Slimline-HWN	N
DS1	N	Touch	Y
DT-B	N	Touch-E	Y
PRT-B	N	Touch-Duo	Y
neoStat	Y	Touch-N	Y
neoStat-e	Y	Touch-HWN	N
neoStat-hw	N	Slimline-RF	Y
neoStat 12v	Y	Touch-RF	N

Wiring: Examples shown below, please consult your thermostat instruction manual to confirm remote air sensor wiring connections.



Product Dimensions (mm)

